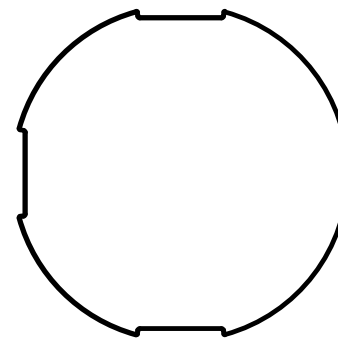
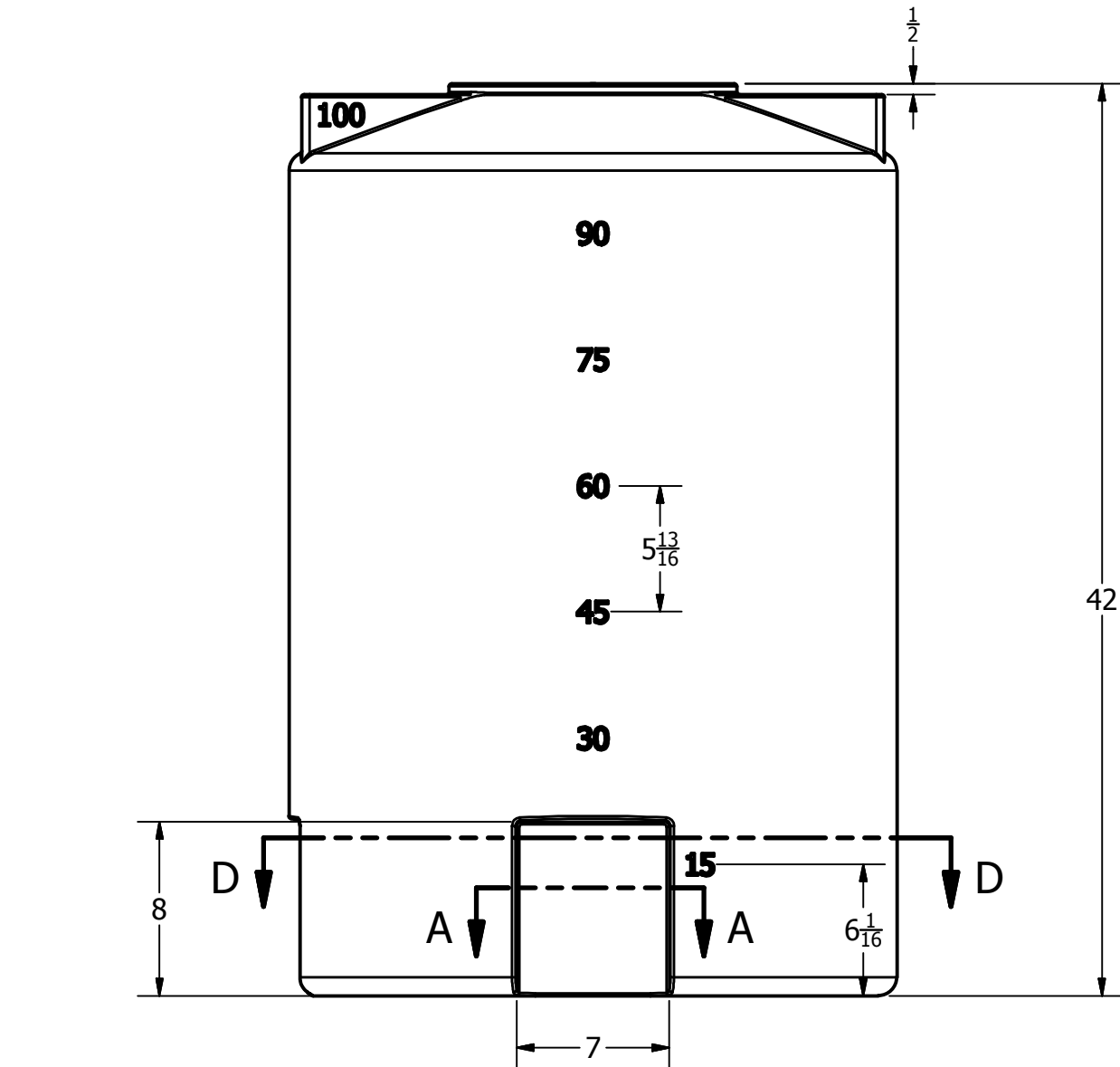
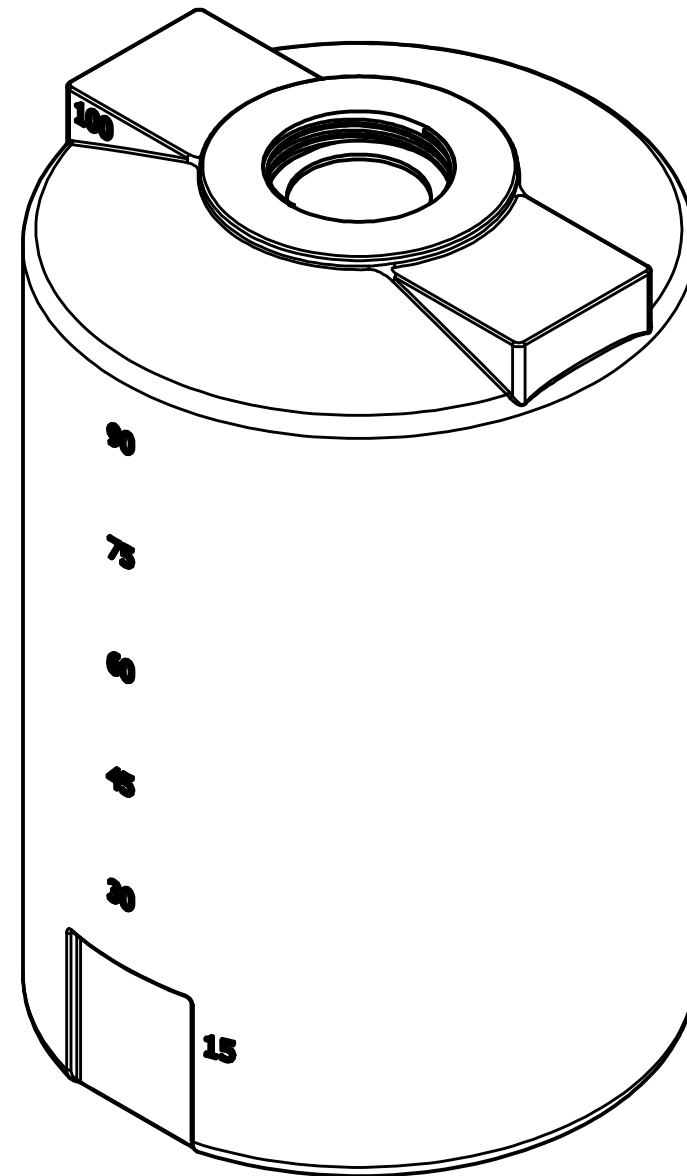



SECTION A-A
SCALE 1:4



SECTION D-D
SCALE 1:16

| REVISION HISTORY | | | |
|------------------|---------------|----------|--|
| REV | DESCRIPTION | DATE | AUTHOR |
| A | REDRAWN | 7/1/2013 | Michael Holden |
| DRAWN | Jerry Paulson | 6/6/2003 |  NORWESCO, INC. SAINT BONIFACIUS, MN TITLE 100 GALLON VERTICAL TANK X 28 DIAMETER |
| CHECKED | | | |
| QA | | | |
| MFG | | | |
| APPROVED | | | |
| | SIZE | DWG NO | REV |
| | B | | A |
| | SCALE: 1/16 | | SHEET 1 OF 1 |